

# TIMER

DHC48

DIGITAL TIMER

DHC48

## FEATURES

- DIN-sized 48×48mm.
- Improved production JSS48, Counting UP/DOWN.
- As connection with nuts, the length of the crust is deduced 10 percents than before.
- Timers have 6 choices of working modes with wide range of delay time.
- High accuracy, small volume, high reliability, high noise immunity.

## CHARACTERISTICS

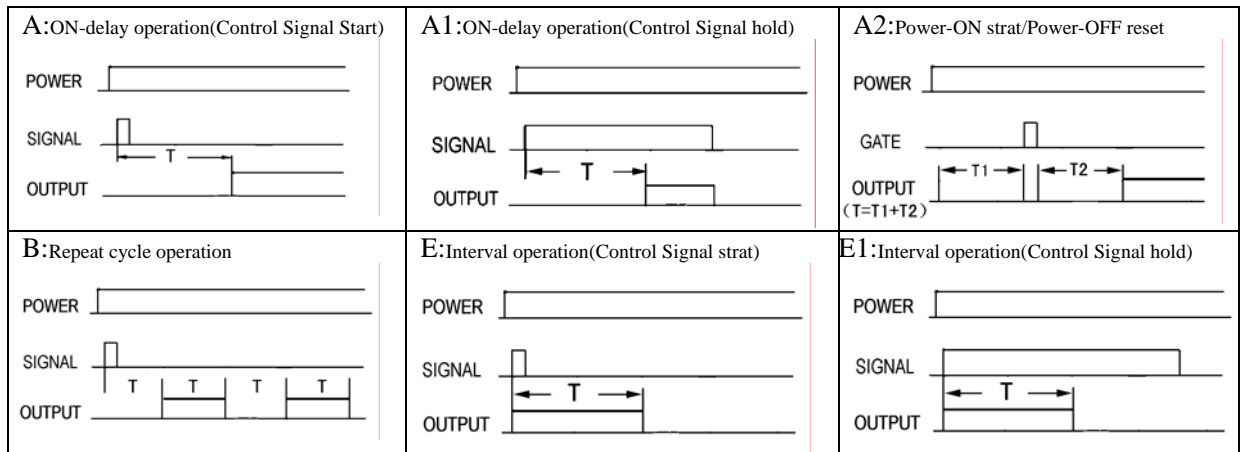
● Time ranges:

Select switch:	h	m	s
Time ranges:	1m—99h99m	1s—99m99s	0.01s—99.99s

- Supply voltage: AC/DC100~240V
- Accuracy: 0.01%+0.05s
- Ambient temperature: Operating: -10°C to 55°C
- Power consumption: ≤3VA
- Display: Up/Down

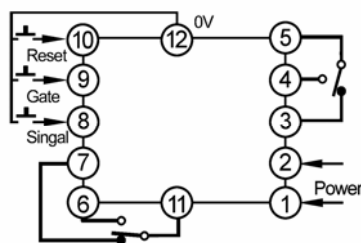
- Control output: AC 250V 3A
- Contact: 2c
- Panel cutout: 45×45 mm
- Weight: 0.3kg

## OPERATION MODE



MODE	K1	K2	K3
A	OFF	OFF	OFF
A1	OFF	OFF	ON
A2	OFF	ON	OFF
B	OFF	ON	ON
E	ON	OFF	OFF
E1	ON	OFF	ON

## CONNECTIONS



## DIMENSIONS

