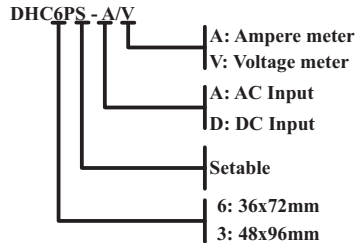


Ordering Information



AC DIGITAL VOLTMETER:

Direct input : 600.0V, 99.99V, 9.999V

DC DIGITAL VOLTMETER:

Direct input : 600.0V, 99.99V, 9.999V

AC DIGITAL AMPERE METER

CT Input(5) : 10A, 15A, 25A, 30A, 40A, 50A, 60A, 80A, 100A, 200A, 250A, 300A, 400A, 500A, 600A, 800A, 1000A, 1500A, 2500A, 3000A, 4000A, 5000A, 5000A, 8000A

Direct input: 5A

DC DIGITAL AMPERE METER

CT Input(75mV) : 5A, 10A, 15A, 20A, 25A, 30A, 40A, 50A, 60A, 80A, 100A, 200A, 300A, 400A, 500A, 500A, 800A, 1000A, 1500A, 2000A, 2500A, 3000A, 4000A, 5000A, 6000A, 8000A

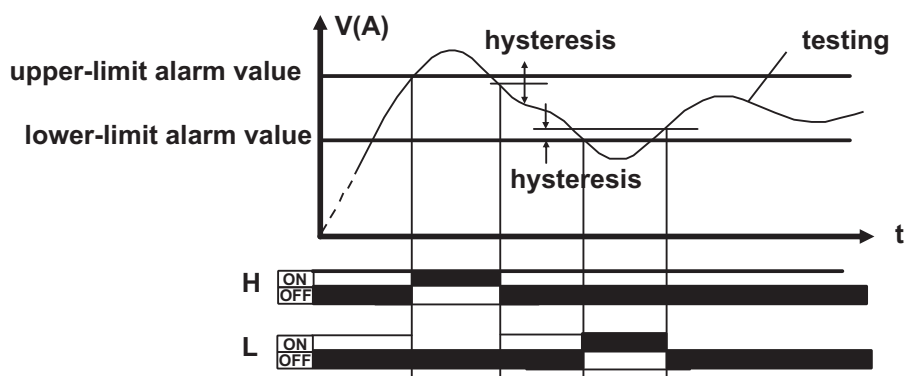
VOLTMETER DIP Settings (↑on)

	K1	K1	K1	K1
600.0V				
99.99V			↑	↑
9.999V	↑	↑		

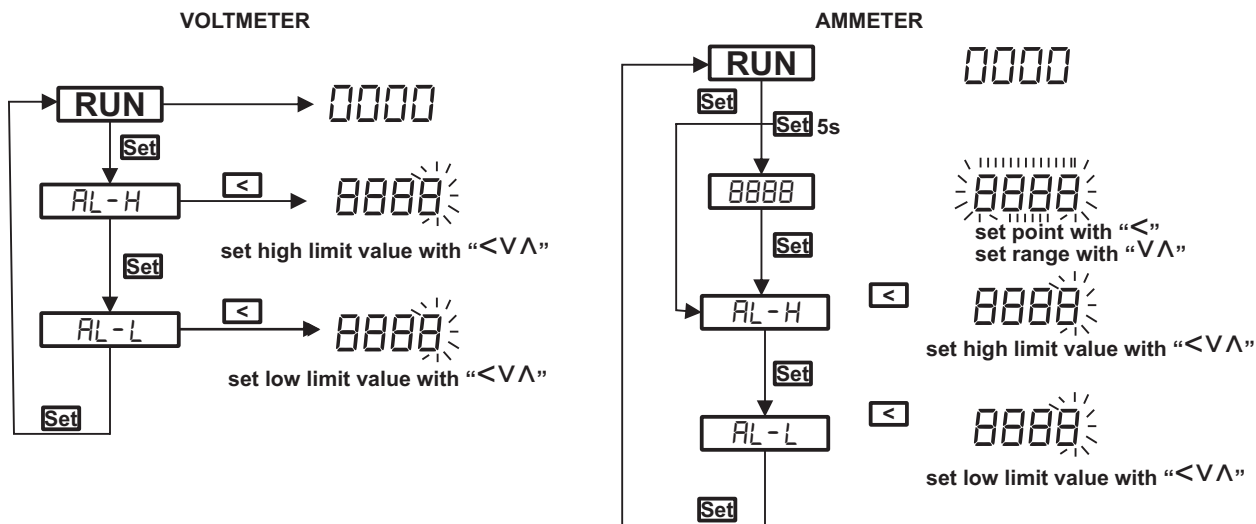
Specification

- **Power supply:** AC/DC 100~240V
- **Accuracy:** $\pm(0,5\%FS + 1\text{digit})$
- **Sampling speed:** 5 times/s
- **Control hysteresis:** 20 digit (fixed)
 - **Max input:** AC/DC digital voltmeter: 600V
AC/DC digital Ammeter: 5A
- **Contact output:** 2x3A 250V (Resistance)
- **Power consumption:** <3VA
- **Display:** DHC3PS / 4 digit 0.8 inch LED red
DHC6PS / 4 digit 0.56inch LED red
- **Weight:** DHC3PS / approx 170g
DHC6PS / approx 140g
- **Panel cutout:** DHC3PS / 45x92mm
DHC6PS / 33x68.5mm
- **Operating temperature:** 0~50°C <85%RH

Contact output

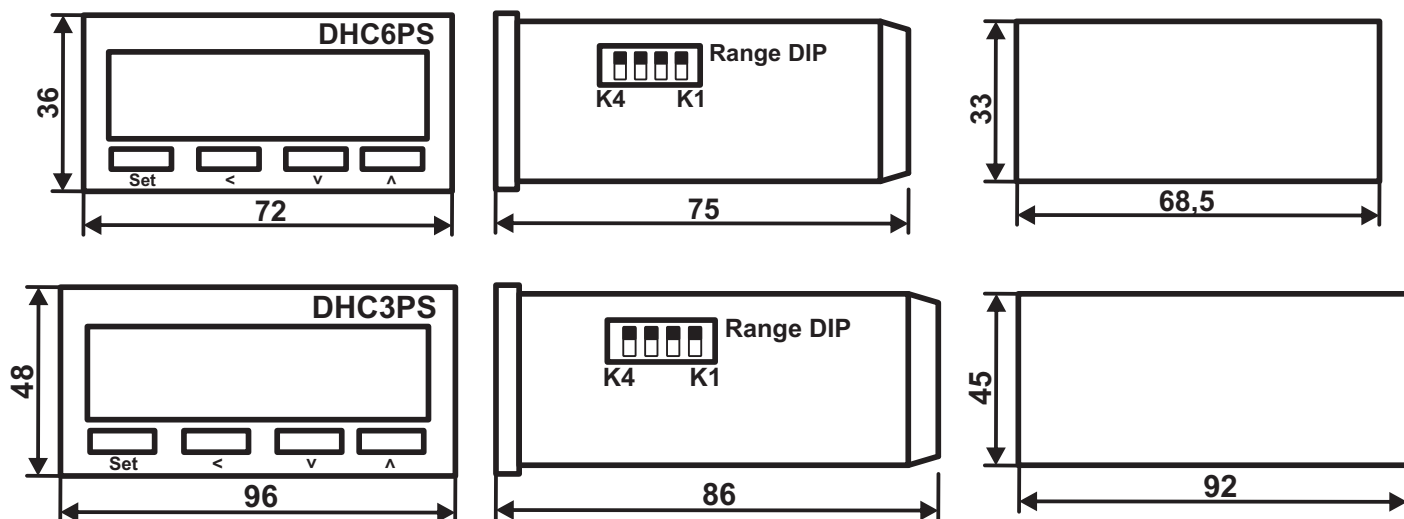


Operation and Display

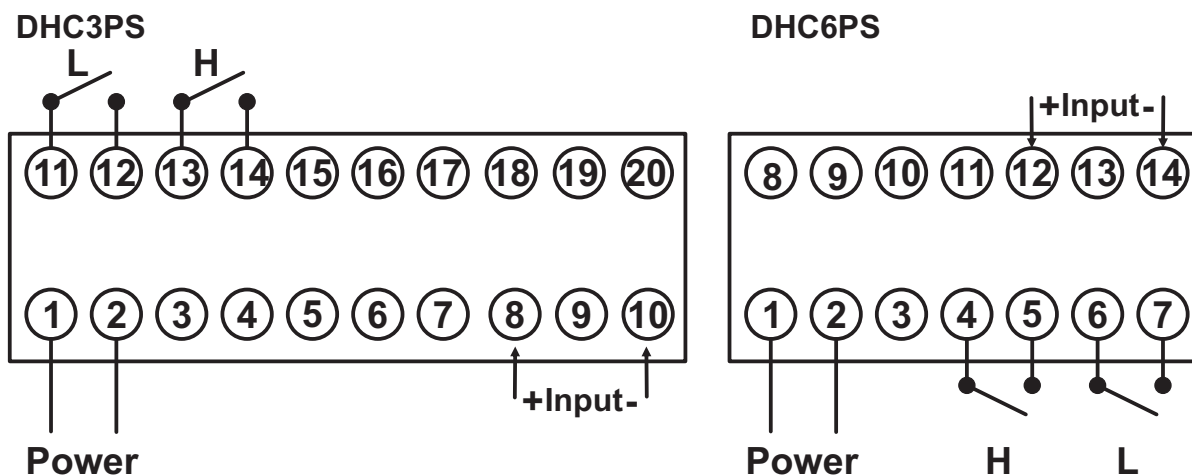


Attention: if no key pressed, after 20 seconds it will return to normal run

Dimensions



Connection



Caution

1. Please check the range and select the right one before power on.
2. This unit shall not be used outdoors
3. Please observe specification rating.
4. Do not use this unit at place where there are flammable or explosive, gas, humidity, direct ray the sun, radiant heat, vibration, impactg etc.
5. Please connect properly after checking the polarity of measuring terminals.