

DHC6P-Z/SV SERIES	DIGITAL PANEL METER
--------------------------	----------------------------

Description

- Programmable panel instrument
- Current and voltage inputs in the same instrument
- Separate zero and span adjustments
- Programmable range, function and setpoints
- Galvanic isolation between supply and internal electronics

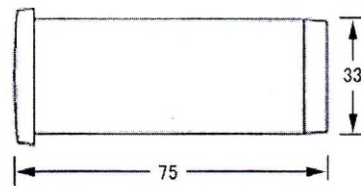
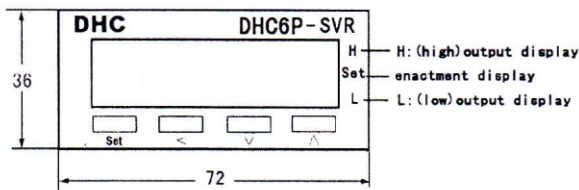
Ordering Information

DHC6P-Z ————— voltage inputs only (DC0~10V)
 DHC6P-SVA1 ——— Current and voltage inputs in the same instrument
 DHC6P-SVR ——— More function than DHC6P-SVA1 with alarm output

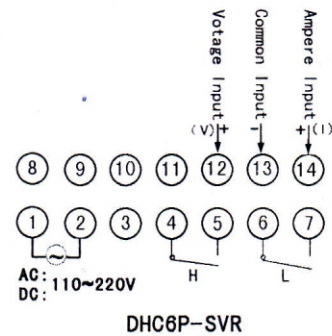
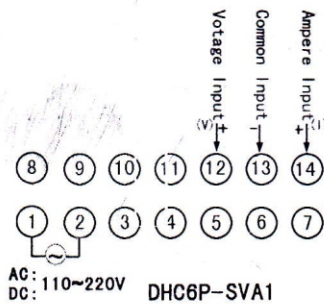
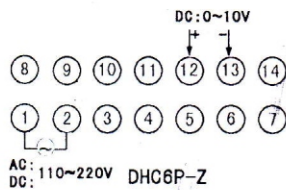
Specification

- | | | | |
|--------------------------|------------------------|--------------------------|-------------------------|
| ● Supply voltage: | AC/DC110~240V | ● Contact output: | AC 250V 3A (Resistance) |
| ● Display accuracy: | ± (0.5% FS+1Digit) | ● Contact: | 1C*2 |
| ● Max. indication digit: | 1999 | ● Display: | 0.56 inch LED(red) |
| ● Metering input: | Current: 0~20mA/4~20mA | ● Panel cutout: | 33×68.5 mm |
| | Voltage: 0~200mV/0~1V | ● Weight: | approx 140g |
| | 0~5V/1~5V | ● Operating temperature: | 0℃~+50℃ |
| | 0~10V/1~10V | ● Ambient humidity: | 35~85%RH |
| ● Power consumption: | ≤3VA | | |

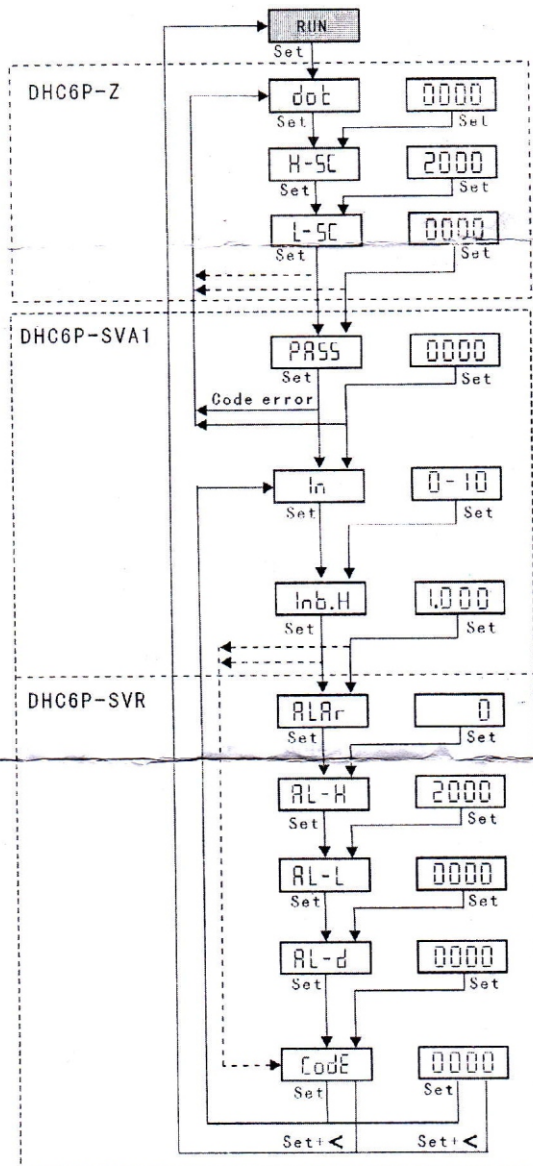
Dimensions



Connections



Operation And Display



- Set dot position
 →0000→0000→0000→0000
 Set with "<vΛ"
- Set indication value for max. input , set range : 0 - 2000
 Set with "vΛ"
- Set indication value for min. input, set range : 0 - 2000
 Set with "vΛ"
- Password input
 Set with "<vΛ"
- Select measuring input specification
 →0-10→1-10→0-5→1-5→0-1→200→0-20→4-20
 (0-10V) (1-10V) (0-5V) (1-5V) (0-1V) (0-200mV) (0-20mA) (4-20mA)
 Set with "<vΛ"
- Gradiend adjustment setting range of the upper display value for max.input:0.800~1.200
- Set with "<vΛ"
- Out type: 0 LH.St, 1 LL.St, 2 HH.St
 Set with "<vΛ"
- Set high setting value
 Set with "<vΛ"
- Set low setting value
 Set with "<vΛ"
- Set hysteresis
 Set with "<vΛ"
- Set the password , factory setting "0000", it maybe changed by user , set range : 0 - 8999
 Set with "<vΛ"

Attention: save and exit the menu with "set" and "<"

Caution

- 1、 Please check the range and the types of input, then select the right one before testing. If "0~10V" or "1~10V" is not selected, "Inb.H" should be adjusted by user.
- 2、 If "HHHH" is displayed, it has some trouble with the measuring input according to the range and the types of input selected.
- 3、 This unit shall not be used outdoors.
- 4、 Please observe specification rating.
- 5、 Do not use this unit at place where there are flammable or explosive, gas, humidity, direct ray the sun, radiant heat, vibration, impact etc.
- 6、 Please connect properly after checking the polarity of measuring terminals.