

# SV8 SERIES INTELLIGENT SENSOR METER



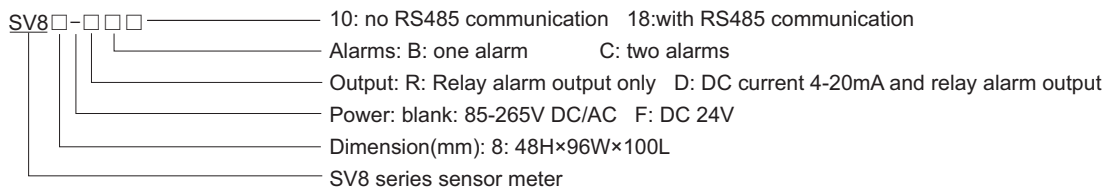
48H×96W×100L

## FEATURES

- Input signal type: mA, mV, V, Rt, selected by software. Full scale / Zero point is adjustable.
- One or Two relay alarm output, Relay Capacity: AC 250V/3A or DC 30V/3A.
- With transformed analog output 4-20mA.
- With 24V/12VDC 30mA, or ±12V/60mA auxiliary power supply
- With RS485 communication function (optional)
- Accuracy ±0.3%FS.

Application: suitable for two wires transmitters, pressure sensors, four wires weight sensors, long distance transport pressure meters, or some other sensing equipments which outputs mA, mV, V or resistance signal.

## 1. MODEL ILLUSTRATION



## 2. ORDERING CODE

Model	Alarm	Transform	Communication	Input Signal
SV8-RB10	One Alarm	-	-	Factory Setting (User can change) 0~50mV, 0~400Ω 0~10V, 4~20mA
SV8-RC10	Two Alarm	-	-	
SV8-DB10	One Alarm	4-20mA	-	
SV8-DC10	Two Alarm	4-20mA	-	
SV8-DB18	One Alarm	4-20mA	RS485	
SV8-DC18	Two Alarm	4-20mA	RS485	

\*AC/DC 24V power supply to be special ordered.

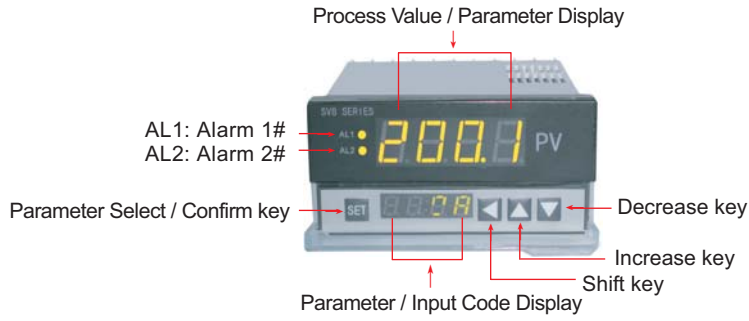
## 3. TECHNICAL SPECIFICATION

Input Signal	0~50mV, 0~400Ω, 0~10V, 4~20mA (factory setting 4-20mA user can change it.)
Auxiliary Power Supply	DC 24V/12V 30mA or DC±12V/60mA for sensors
Alarm Output	One or two alarms which upper / lower limit changeable
Transform Analog Output	One 4-20mA DC
Accuracy	±0.3%F.S±2Digit
Communication	Standard RS485 interface
Dimension	48H×96W×100L(mm)

## 4. CAUTION

- 1) It is better to make the meter to be power on for 15 minutes before measuring, especially for 1st time use or not be used for long time.
- 2) Working ambient temperature: 0-40°C, humidity less than 85% R.H.
- 3) The calibration interval time is one year.
- 4) Meter should be avoid vibration, shock, excessive dust, corrosive chemical material or gas.
- 5) Please use a low-pass filter if the input signal is interfered by high frequency noise.
- 6) Input signal cable should not be too long. If the measured signal is far away from the meter, please use 2 core shielded cable, and connect its shielded end to the LO end of the signal source.
- 7) If the meter is not used for long time, it is suggested to make it to be power on every 3 months, and not less than 4 hours each time.
- 8) For storage, please put the meter to a place without sunshine, and ambient temperature between -10 to 70°C, and humidity less than 60%. Don't let the meter contact with organic solvent or oil.

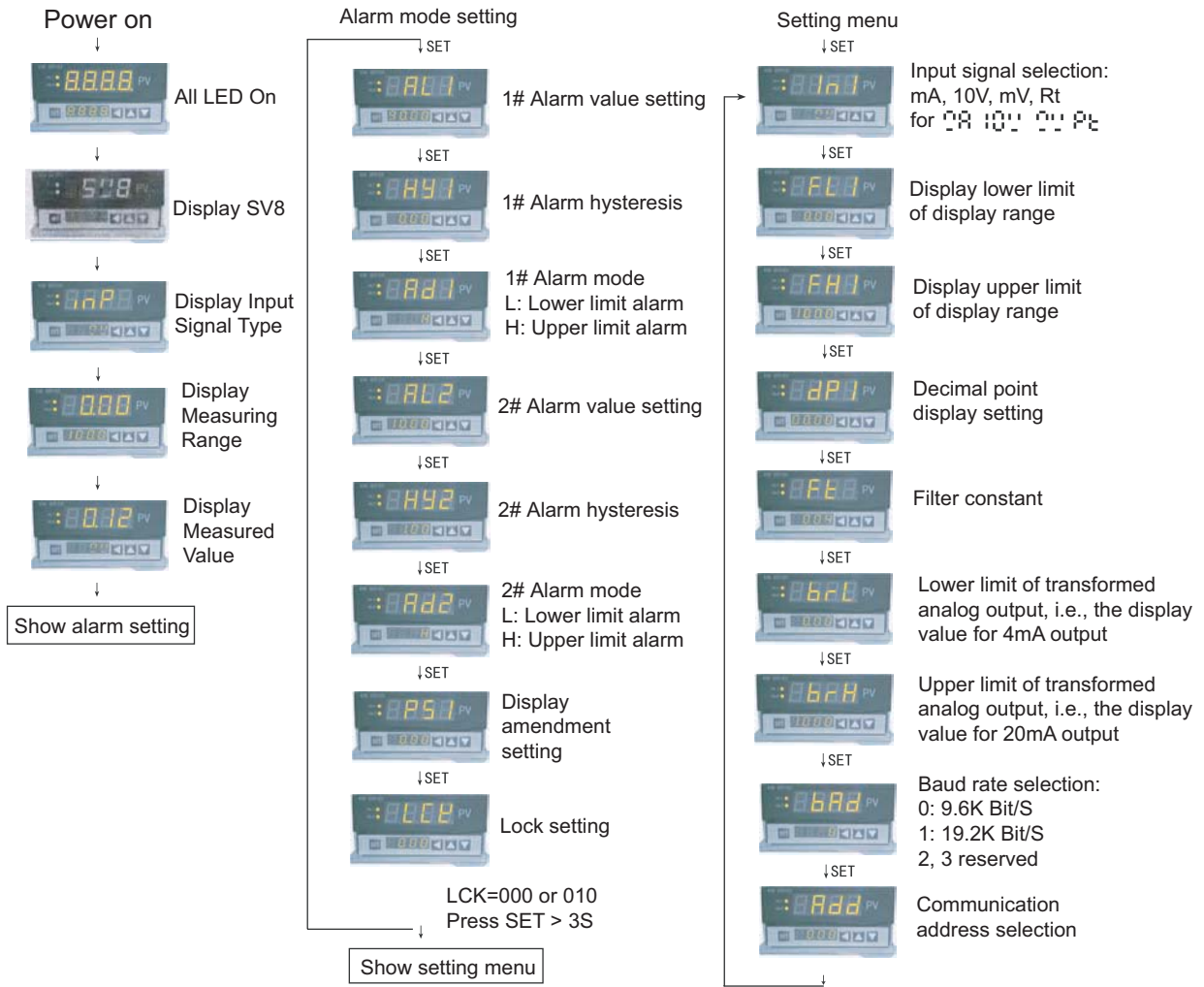
## 5. PANEL ILLUSTRATION



## 6. KEY OPERATION INDICATION

1. In the measuring status, press SET key to show alarm setting menu, press ◀ key to shift the flicker digit, press ▼ ▲ key to change the value. Press SET to confirm the change, and show next menu.
2. In the setting menu, if no key operation for 25 seconds, menu will return back to measuring status automatically.

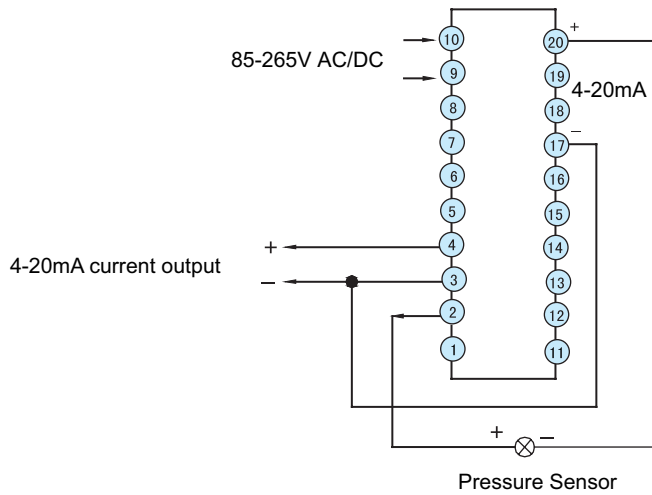
## 7. OPERATOIN SEQUENCE



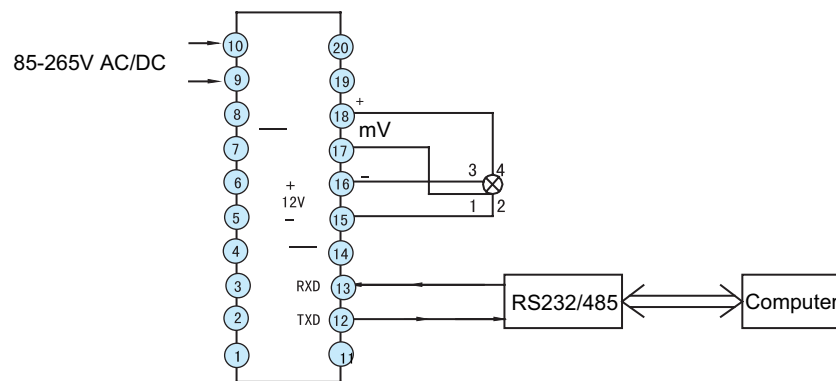
Note: If LCK=010,  
parameters can be read,  
but not changed.

## 8. APPLICATION

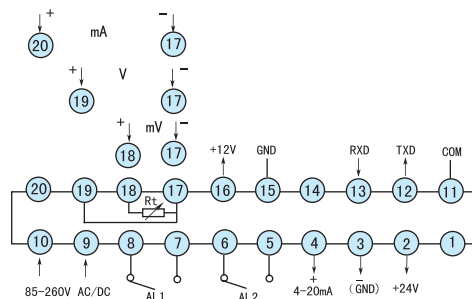
1. Our SV8 sensor meter is connected with a two wire pressure sensor, SV8 provides DC24V/30mA auxiliary power supply to the sensor, and isolated transformed current output. The pressure sensor outputs current 4-20mA.



2. Our SV8 meter is connected with a resistance-strain weighing / pressure sensor, and provides DC12V/30mA excitation voltage to the sensor, and communicate with a computer. The excitation output is 2mV/V.

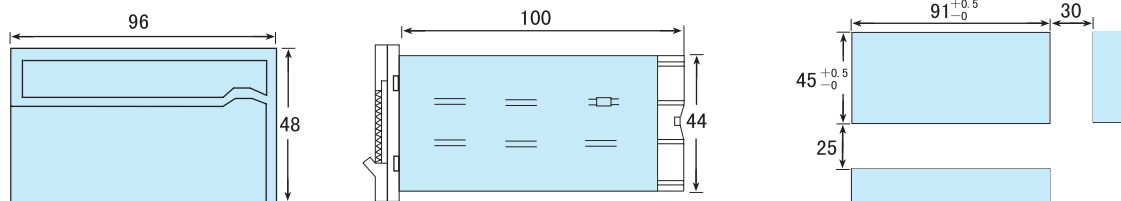


## 9. CONNECTION DRAWING



Note: Please subject to the drawing on the meter if any changes.

## 10. DIMENSION



## 11. SIMPLE PROBLEM SHOOTING

Display	Problem	Method
	Not connect with sensor or input signal is too low	Check / connect the sensor correctly, or change the lower limit.
	Not connect with sensor or input signal is too high	Check / connect the sensor correctly, or change the upper limit.