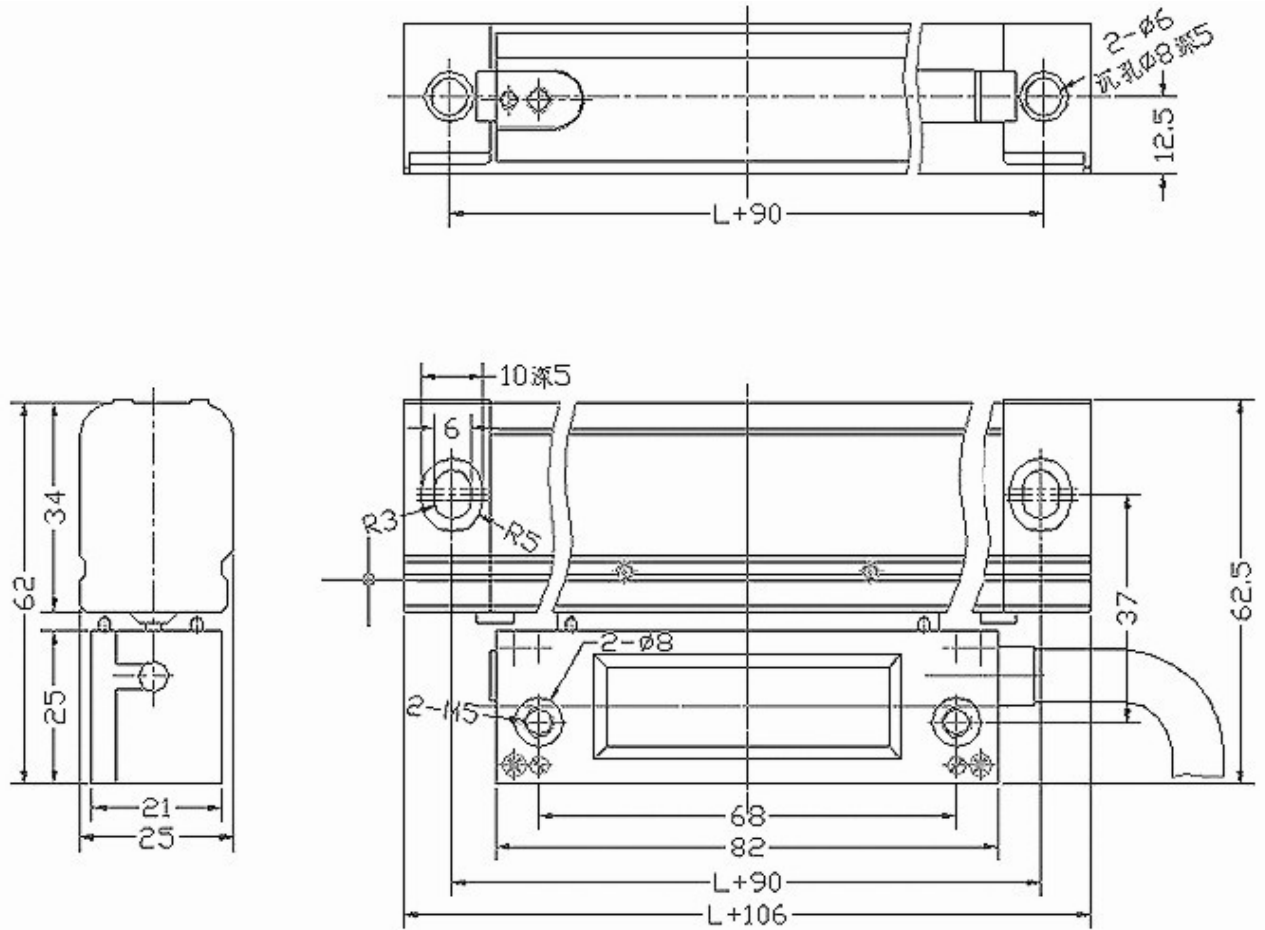


Linear encoders series 300

Dimension



Characteristics

Measuring length	70-1020 (mm)
Cross section	15x24 (mm)
The maximum error	$\pm 3/\pm 5/\pm 10$ (μm) (20°C/68°F)
The maximum speed	60m/min
The reference point	Every 50 mm
Protection	IP55
Resolution	0.5/1/5 μm
Output	TTL

Schedule signals on DB9 connector

	Pin	1	2	3	4	5	6	7	8	9
	Signal	NC	0V	NC	Base line	NC	A	+5V	B	Z

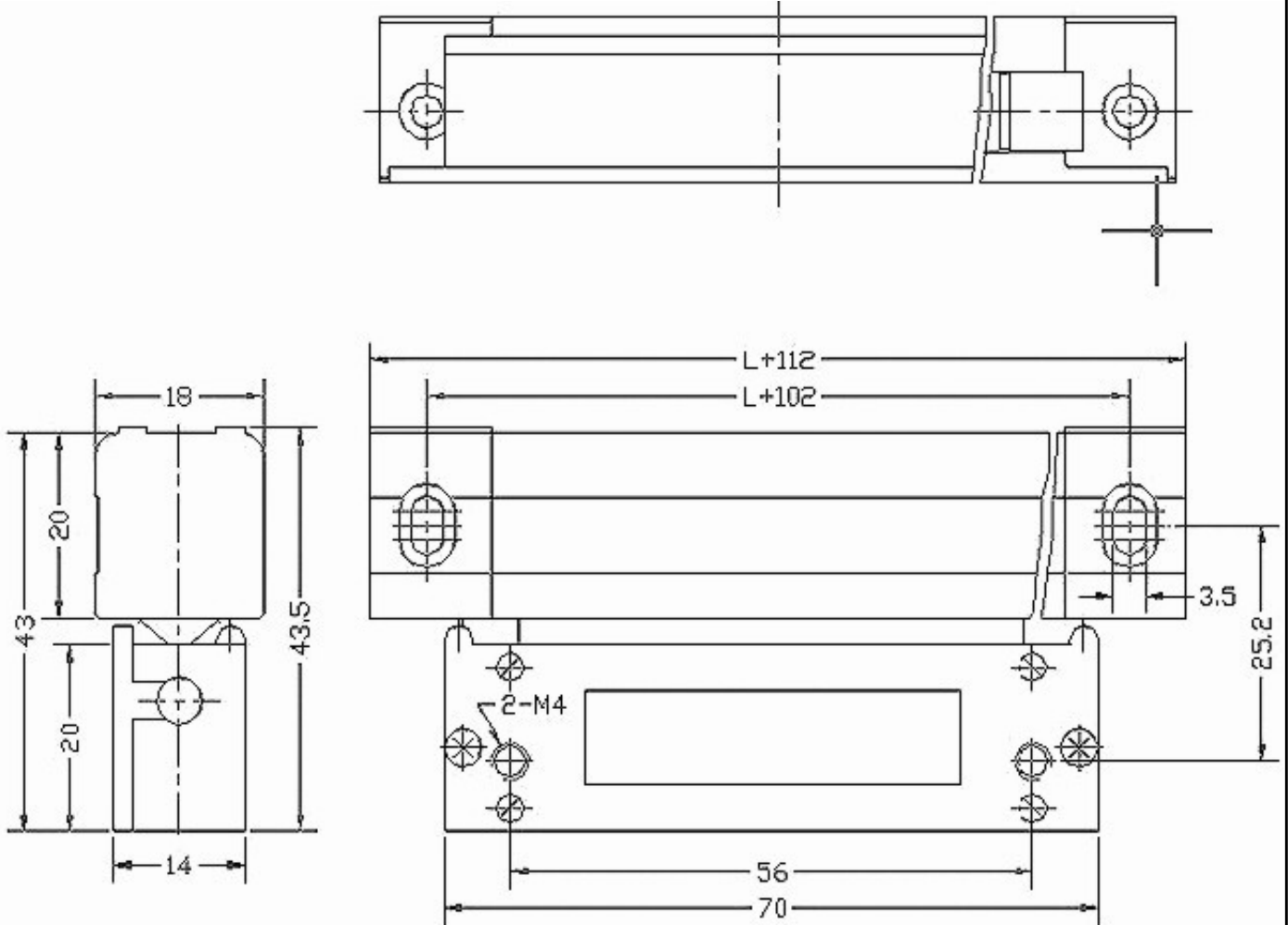
Schedule signals on 7-pin DINconnector

	Pin	1	2	3	4	5	6
	Signal	0V	NC	A	B	+5V	Z

Available models and prices without VAT			
Name	Description		Prices
300-170-5	Resolution Measuring length cut-out	5μ 170 mm 210 mm	175 €
300-220-5	Resolution Measuring length cut-out	5μ 220 mm 360 mm	175 €
300-270-5	Resolution Measuring length cut-out	5μ 270 mm 410 mm	175 €
300-320-5	Resolution Measuring length cut-out	5μ 320 mm 460 mm	175 €
300-370-5	Resolution Measuring length cut-out	5μ 370 mm 510 mm	175 €
300-420-5	Resolution Measuring length cut-out	5μ 420 mm 560 mm	175 €
300-470-5	Resolution Measuring length cut-out	5μ 470 mm 610 mm	175 €
300-520-5	Resolution Measuring length cut-out	5μ 520 mm 660 mm	175 €
300-570-5	Resolution Measuring length cut-out	5μ 570 mm 710 mm	175 €
300-620-5	Resolution Measuring length cut-out	5μ 620 mm 760 mm	185 €
300-670-5	Resolution Measuring length cut-out	5μ 670 mm 810 mm	190 €
300-720-5	Resolution Measuring length cut-out	5μ 720 mm 860 mm	200 €
300-770-5	Resolution Measuring length cut-out	5μ 770 mm 910 mm	200 €
300-820-5	Resolution Measuring length cut-out	5μ 820 mm 960 mm	210 €
300-870-5	Resolution Measuring length cut-out	5μ 870 mm 1010 mm	220 €
300-920-5	Resolution Measuring length cut-out	5μ 920 mm 1060 mm	230 €
300-970-5	Resolution Measuring length cut-out	5μ 9700 mm 1110 mm	240 €
300-1020-5	Resolution Measuring length cut-out	5μ 1020 mm 1160 mm	260 €

Linear encoders series 500

Dimension



Characteristics

Measuring length	70-740 (mm)
Cross section	18x20 (mm)
The maximum error	$\pm 3/\pm 5/\pm 10 \mu\text{m}$ (20°C/68°F) (μm)
The maximum speed	60m/min
The reference point	Every 50mm
Protection	IP55
Resolution	0.5/1/5 (μm)
Output	TTL

Schedule signals on DB9 connector

	Pin	1	2	3	4	5	6	7	8	9
	Signal	NC	0V	NC	Base line	NC	A	+5V	B	Z

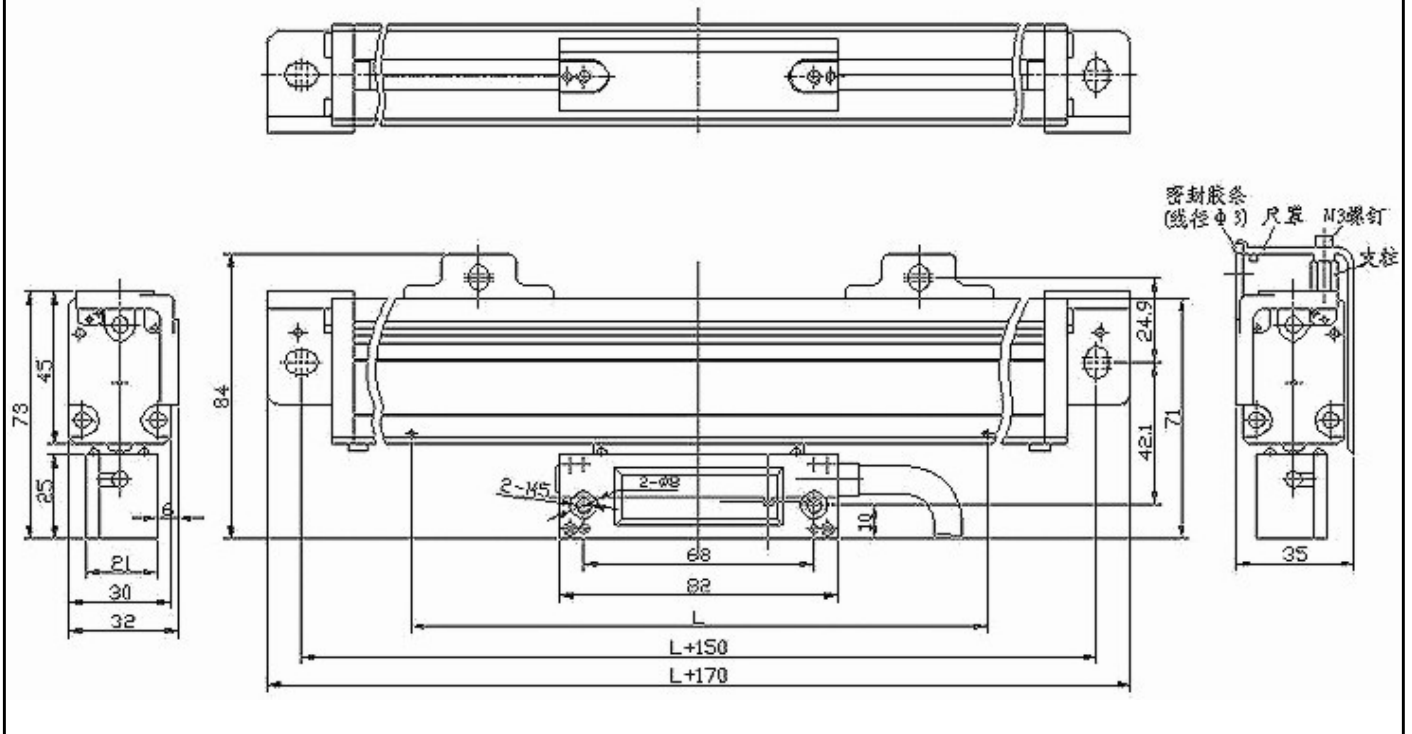
Schedule signals on 7-pin DINconnector

	Pina	1	2	3	4	5	6
	Signal	0V	NC	A	B	+5V	Z

Available models and prices without VAT			
Naziv	Opis		Prices
500-170-5	Resolution Measuring length cut-out	5μ 170 mm 210 mm	200 €
500-220-5	Resolution Measuring length cut-out	5μ 220 mm 360 mm	200 €
500-270-5	Resolution Measuring length cut-out	5μ 270 mm 410 mm	200 €
500-320-5	Resolution Measuring length cut-out	5μ 320 mm 360 mm	200 €
500-370-5	Resolution Measuring length cut-out	5μ 370 mm 410 mm	200 €

Linear encoders series 600

Dimension



Characteristics

Measuring length	1000-3000 (mm)
Cross section	30x43 (mm)
The maximum error	$\pm 3/\pm 5/\pm 10 \mu\text{m}$ (20°C/68°F) (μm)
The maximum speed	60m/min
Referentna tačka	na svakih 50mm
The reference point	IP55
Resolution	0.5/1/5 (μm)
Output	TTL





Schedule signals on DB9 connector

	Pin	1	2	3	4	5	6	7	8	9
	Signal	NC	0V	NC	Base line	NC	A	+5V	B	Z

Schedule signals on 7-pin DINconnector

	Pina	1	2	3	4	5	6
	Signal	0V	NC	A	B	+5V	Z

Available models and prices without VAT			
Name	Description		Prices
600-1100-5	Resolution Measuring length cut-out	5μ 1100 mm 1240 mm	300 €
600-1200-5	Resolution Measuring length cut-out	5μ 1200 mm 1340 mm	320 €
600-1300-5	Resolution Measuring length cut-out	5μ 1300 mm 1440 mm	350 €
600-1400-5	Resolution Measuring length cut-out	5μ 1400 mm 1540 mm	380 €
600-1500-5	Resolution Measuring length cut-out	5μ 1500 mm 1640 mm	400 €
600-1600-5	Resolution Measuring length cut-out	5μ 1600 mm 1740 mm	430 €
600-1700-5	Resolution Measuring length cut-out	5μ 1700 mm 1840 mm	460 €
600-1800-5	Resolution Measuring length cut-out	5μ 1800 mm 1940 mm	500 €
600-1900-5	Resolution Measuring length cut-out	5μ 1900 mm 2040 mm	550 €
600-2000-5	Resolution Measuring length cut-out	5μ 2000 mm 2140 mm	590 €
600-2100-5	Resolution Measuring length cut-out	5μ 2100 mm 2240 mm	620 €
600-2300-5	Resolution Measuring length cut-out	5μ 2300 mm 2440 mm	670 €
600-2500-5	Resolution Measuring length cut-out	5μ 2500 mm 2640 mm	720 €
600-2800-5	Resolution Measuring length cut-out	5μ 2800 mm 2940 mm	800 €

DRO	Prices without VAT
<p>Triaxial DRO for EDM SDS2-3EC</p>  <ul style="list-style-type: none"> • Convert a measurement system (mm / inch) • The absolute / relative conversion • PCD hole positioning on circumference • Saving 200 reference points • Memory at power off • Choice working mode • Undo function settings 	350 €
<p>Uniaxial universal DRO SDS3-1</p>  <ul style="list-style-type: none"> • Convert a measurement system (mm / inch) • The absolute / relative conversion • Saving 200 reference points • The selection of diameter / radius • Memory at power off • Choice working mode • Undo function settings 	220 €
<p>Biaxial universal DRO SDS6-2V</p>  <p>It combines the functions of lathe, milling machines and grinders. Funkciije Simply select the mode setting resolution bars. The surgery is done only once and is remembered. You can always change if you change the purpose of the device</p> <ul style="list-style-type: none"> • Convert a measurement system (mm / inch) • The absolute / relative conversion • A simple "R" function - calculating port • Complex "R" function - calculating port • Rectification of circles • Saving 200 reference points • Functional calculator • Progressive processing and computing inner hollow rectangle • Compensation Tool • Processing in oblique plane • Automatic tracking of the reference point • Linear error compensation 	270 €
<p>Triaxial universal DRO SDS6-3V</p>  <p>It combines the functions of lathe, milling machines and grinders. Funkciije Simply select the mode setting resolution bars. The surgery is done only once and is remembered. You can always change if you change the purpose of the device</p> <ul style="list-style-type: none"> • Convert a measurement system (mm / inch) • The absolute / relative conversion • A simple "R" function - calculating port • Complex "R" function - calculating port • Rectification of circles • Saving 200 reference points • Functional calculator • Progressive processing and computing inner hollow rectangle • Compensation Tool • Processing in oblique plane • Automatic tracking of the reference point • Linear error compensation 	300 €

