

LH Series Weighing Batching Controller Instruction Manual

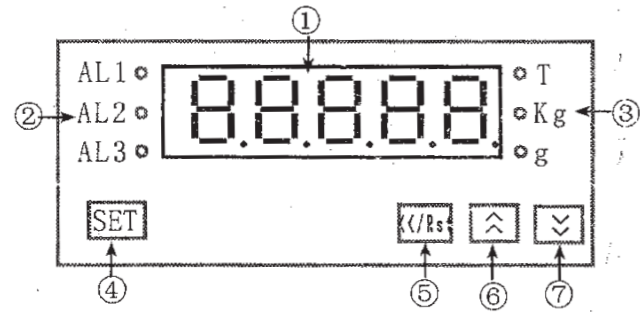
Thanks a lot for selecting MYPIN product!

Before operating this instrument, please carefully read this manual and fully understand its contents. If any problems, please contact our sales or distributors whom you buy from. This manual is subject to change without prior notice.

Application

The instrument provides isolated load cell power, (regularly one 12V/40mA, up to four 12V/150mA can be customized), connect with load cell directly, up to 6 outputs control for groups of batching or single ?; Data/Peak value holding function for choice. RS485 communication interface provides remote link with computer/PLC. Besides, you can Start/Pause/Accumulate/Clear tare weight/average/clear zero, etc. with external control terminal.

Code Illustration



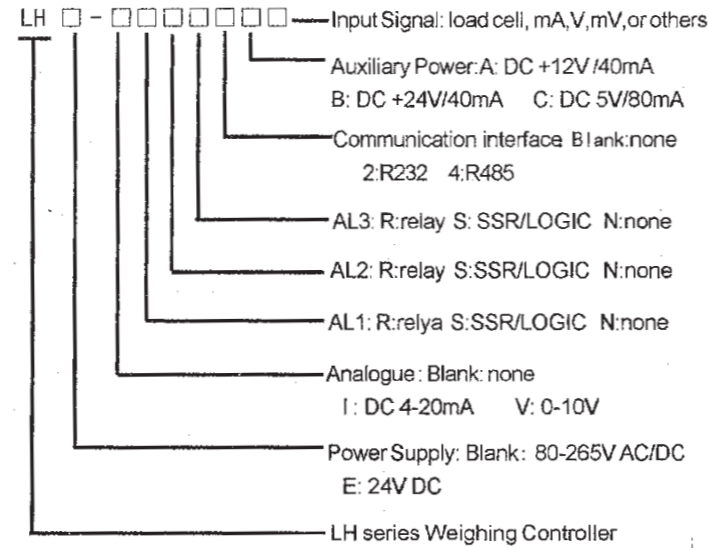
- ① Measuring value/Parameter code display
- ② Control output indicate lamps: On: active, Off: inactive
- ③ Units indicate lamps: T: ton, Kg: Kilogram, g: gram
- ④ Parameters Select / Confirm key
- ⑤ Shift key / tare weight Clear key
- ⑥⑦ UP & DOWN key

Specifications

Power	90-260V AC/DC OR 15-30V AC/DC
Power Consumption	≤5VA
Accuracy	0.1%F.S±2digit
Sampling speed	16-128 times/sec
Relay	Open contact 250V AC 3A or 30V DC 3A COSφ=1
Input	Regular: mV(Load cell) Others:mA/V or special order
Transferred power	0-10V or 4-20mA output, rang setted by software
Auxiliary Power Supply	Isolated DC24V / 12V / Max 40mA or 5V/80mA
Communication	RS232 or RS485 MODBUS RTU protocol

Mounting dimensions: 91+0.5X45+0.5mm

Code Illustration

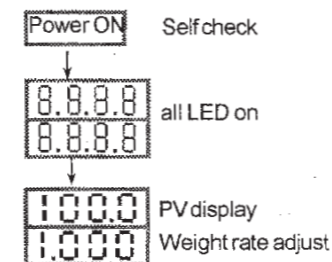


Dimension: LH8: 5 digits display, 48H*9W*100L

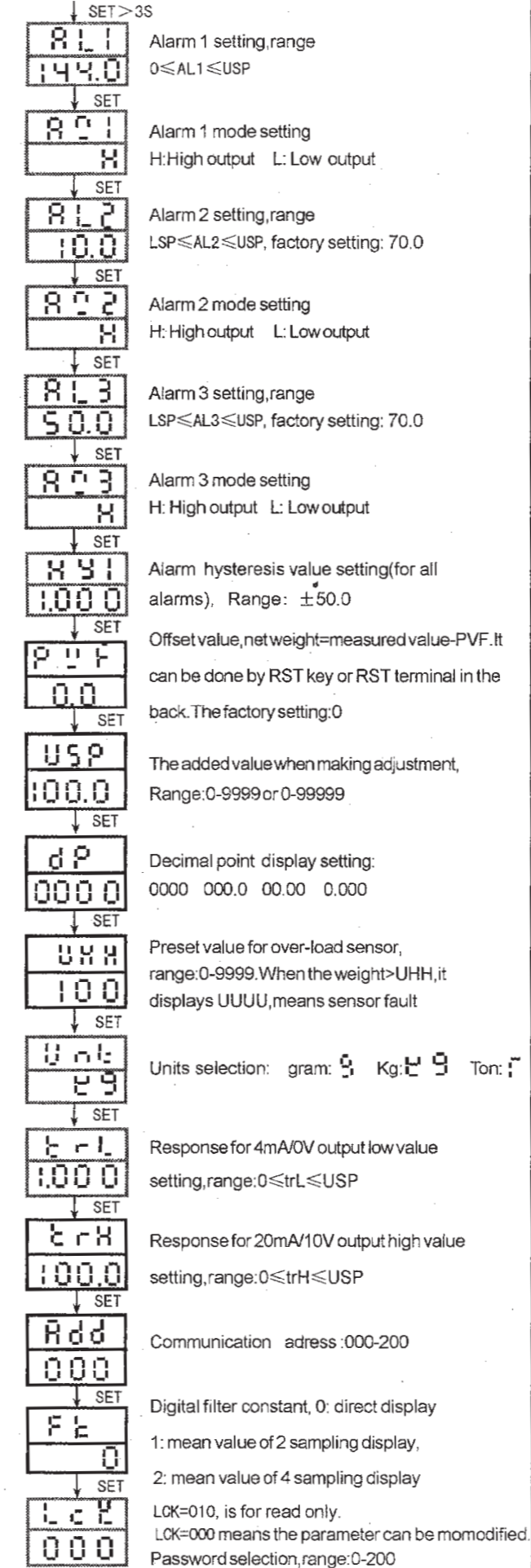
Parameters setting

1. Parameter setting: In displaying estate, press and hold SET key for more than 3 seconds, enter / quit parameters setting menu. Press <</Rst key, LED flashes, press Up / Down key to modify, and then press SET key to confirm. Press SET key to read the following parameters one by one.
2. Adjustment: well connected wires and sensor, turn the power on, set USP=Standard weight (suggest more than 20% load cell scale), PF2=0000, UHH=110% of Max weight high limited value (or required value). Without any weight on the instrument, press DOWN key >5s until OK flashes. That's to set the zero point and it displays 0.0; Then add the weight equal to settled USP, press UP key >5s until OK flashes. That's to set the high value, and it displays the added weight. Should big error is happened, just repeat the operation for second time.
3. Clear tare weight: in display state, press <</Rst or external RST more than 2 seconds to clear, then displays 0; **Zero point clear:** If there is fluctuation in display when no weights added on the instruments, please enter the menu and set PF2=displayed value. Then it will display 0 when the display value is below PF2.
4. The instrument will return to the measuring estate without any operation for 25 seconds.
5. when accumulated/average function is needed, the accumulate value will be in the Low LED. Press external terminal RST to reset, SUM to add up the value will be added when each operation to SUM.

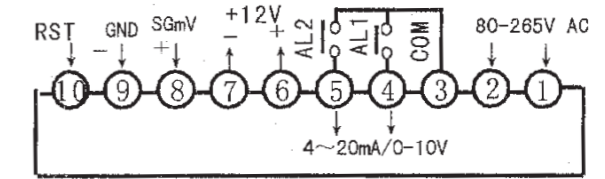
Operation process



Parameter setting (press SET for 3 seconds to enter or quit)

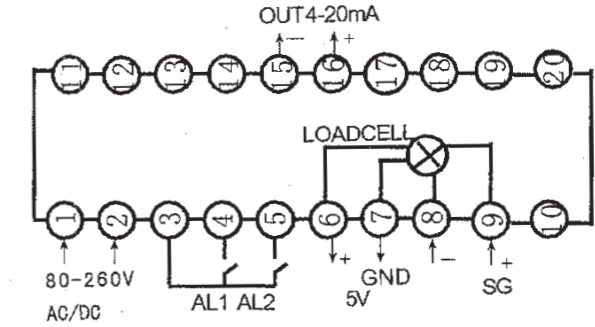


Connections (If any changed, refer the label on the meter).

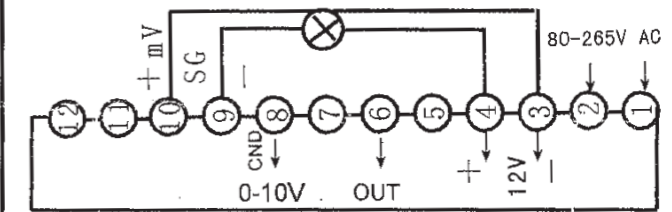


Application examples

1. LH8-IRRC wiring



2. Used with LOAD cell. The instrument can supply DC 12V auxiliary power, and the sensor output is 2mV/V. Select input signal mV.



LA8-VNNNA

3. LH8E-IRNB with 6-wire input 4-20mA

