

MPM489 Pressure Transmitter

Brief Introduction

MPM489 product is piezo-resistive pressure transmitter with zero and span adjustable. It uses high stable and reliable pressure sensor and special circuit board to produce transmitter, and performance is good and reliable. MPM489 pressure transmitter is used for measure and control of petroleum, chemi-industry, electric power, hydrology and flow pressure measure, etc.



Features

- Reliable performance, easy application
- Short protection and reverse polarity protection
- Measure gauge, absolute and sealed gauge
- Intrinsic safe version, conforming to Standard Exia II CT6 of GB3836.4
- Exd product conforms to Standard GB3836.2, and Exd certificate is approved. Exd sign is Exd II CT6
- Ship-use product conforming to CCS Rules of Classification of Sea-going Steel Ships (2006)
- CE and RoHS approved

Specification

- Pressure range: $-0.1...0\sim 0.01...100\text{MPa}$
- Overpressure: 1.5 times FS or 110MPa (min. value is valid)
- Pressure type: gauge/ absolute / sealed gauge
- Process connection: M20×1.5 male waterline seal (or on your demand)
- Accuracy: 0.5%FS
- Long term stability: max. $\pm 0.3\%\text{FS}/\text{year}$
- Zero thermal drift: $0.1\%\text{FS}/^{\circ}\text{C}(\leq 100\text{kPa})$; $0.05\%\text{FS}/^{\circ}\text{C}(> 100\text{kPa})$
- Span thermal drift: $0.1\%\text{FS}/^{\circ}\text{C}(\leq 100\text{kPa})$; $0.05\%\text{FS}/^{\circ}\text{C}(< 100\text{kPa})$

<http://www.microsensor.cn>

Add: No.18,Yingda Road Baoji,P.R.China, 721006

Tel: +86 917 3600739/3600832 Fax: 3600755

MICRO SENSOR CO.,LTD.

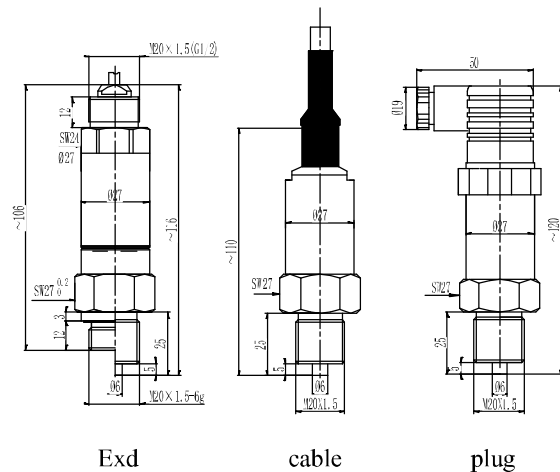
- Compensation temp.: 0~50℃
- Application temp.: -30~80℃, intrinsic safe version: -10~60℃, EXD: -20~60℃
- Storage temp.: -40~120℃
- Power supply: 10~28VDC, intrinsic safe version supplied by safe barrier
EXD: 8~28VDC
- Output signal: 4~20mA DC (2-wire), 0/1~5VDC (3-wire)
- Load: $\leq (U-10) / 0.02\Omega$ (2-wire), $\geq 10k$ (3-wire)
- Housing protection: IP65
- Electric connection: DIN43650 plug

Construction and Outline Dimension

Construction material:

- Housing: stainless steel 1Cr18Ni9Ti
- Sensor housing: stainless steel 1Cr18Ni9Ti
- Diaphragm: stainless steel 316L
- Sealed-ring: Viton
- Plug housing: plastic

Outline dimension:

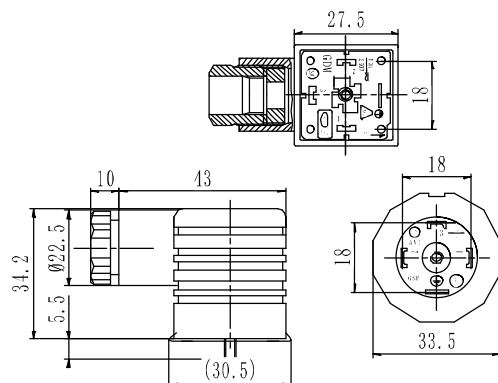


Electric Connection

Transmitter connects with the outer circuit through
DIN43650 plug. Terminal definition as below:

Pin	2-wire	3-wire
1	+V	+V
2	Signal: +OUT	GND
3	Null	Signal: +OUT

Wire color	2-wire	3-wire
Black	+V	+V
Red	0V	+OUT
White	Null	GND



<http://www.microsensor.cn>

Add: No.18,Yingda Road Baoji,P.R.China, 721006

Tel: +86 917 3600739/3600832 Fax: 3600755

MICRO SENSOR CO.,LTD.

Order Information

MPM489	Pressure Transmitter		
	Range	Pressure range: -0.1...0~0.01...100MPa	
	[0~X]kPa or MPa	X: the actual measured pressure	
	Code	Output signal	
	E	4~20mADC	
	F	1~5VDC	
	J	0~5VDC	
	Code	Construction material	
		Diaphragm	Pressure port
	22	SS 316L	SS
	25	Tantalum	SS
	35	Tantalum	Hastelloy
	Code	Others	
	B ₁	Plug connection	
	P	Flush diaphragm (0~70kPa...35MPa)	
	M ₃	3 1/2 digits LCD digital indicator	
	M ₄	3 1/2 digits LED digital indicator	
	i	Intrinsic safe version: Exia II CT6	
	T	Ship-use	
	d	Exd II CT6	
	C ₁	M20×1.5 male, face type seal	
	C ₃	G1/2 male (used for flush diaphragm type)	
	C ₅	M20×1.5 male, waterline seal	
	G	Gauge	
	S	Sealed gauge	
	A	Absolute	
MPM489	[0~100kPa]	E	22 B ₁ C ₅ G the whole spec

Note:

1. Please pay attention that the media should be compatible with the contacted parts;
2. If any special requirements on function or specification, please contact with us freely;
3. Please pay attention that the intrinsic safe version and ship-use product do not include digital indicator M₃ or M₄.
4. EXD product has no 0~5VDC output signal.

<http://www.microsensor.cn>

Add: No.18,Yingda Road Baoji,P.R.China, 721006

Tel: +86 917 3600739/3600832 Fax: 3600755

MICRO SENSOR CO.,LTD.