

PT Series Melt Pressure Transmitter



PT112B Rigid stem



PT123B Flex tube



PT133B P&T incorporate

Rigid stem or Flex tube diaphragm isolated structure

Zero and span adjustable

Various amplified signal available

Shunt calibration 80%FS

Good stability & interference resistance

PT112B/PT123B/PT133B series melt pressure transmitter transfer pressure into non-interference amplified signals including 4/20mA, 0/5V, 0/10V, which could be directly input to position machine.

Specification

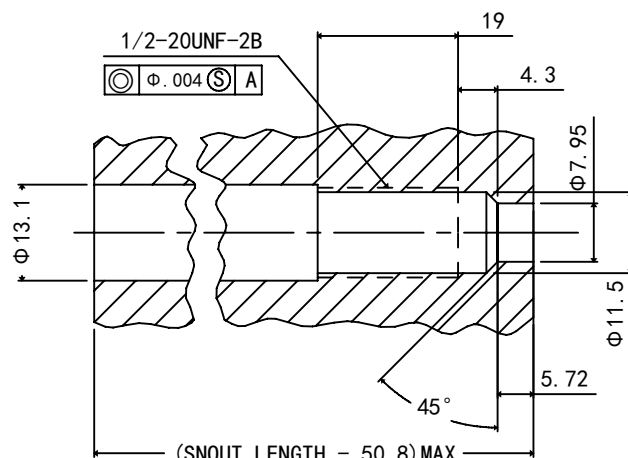
Range	0~10bar~2000bar,(0~5MPa~300MPa)
Accuracy	±0.25%FS, ±0.5%FS
Power	24Vdc
Output	4~20mA; 0~5V; 0~10V;
repeatability	±0.2%FS
Load resistance	1000 ohms±10%
Shunt calibration	80%±1%
Overload	1.5×FS
Thermocouple	PT133B (pt100; E; J; K)
Max diaphragm temp	PT112B(320°C), PT123B(400°C), PT133B(500°C)
Electronic connection	6pin or 8pin
Process connection	1/2"-20UNF, M14×1.5, M18×1.5,M22,G3/4 special de

Ordering Instruction

PT123B -35MPa-1/2-6/18-4/20mA-6PIN

Flex tube type , 0-35Mpa pressure range , 1/2-20UNF threaded connection, length of screw 6 inch (152mm) , length of flex tube 18 inch (456mm) , 4-20mA output, 6pin connector.

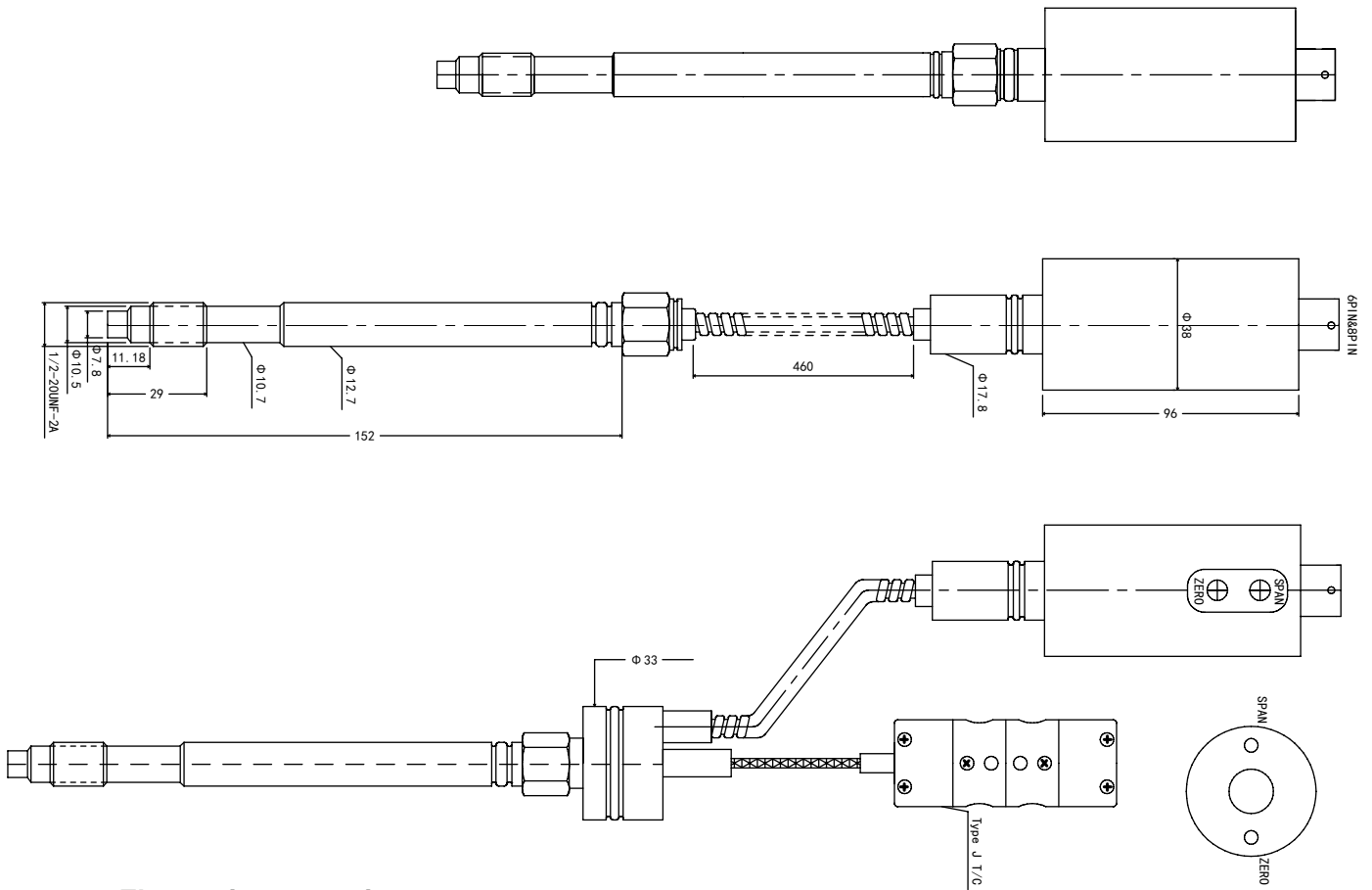
Trepanning size





沪制01120059

Dimension



Electronic connection

Output	Function	color	6pin		Output	Function	color	6pin
3.33mV/V 0-5V; 0-10V	signal +	Blue	A			Output : 4-20m A	power +	red
	signal -	Green	B	power -			blue	B
	power +	Red	C	calibration			black	E
	power -	Yellow	D	calibration			brown	F
	calibration	Black	E					
	calibration	Brown	F					
Output	Function	color	8pin		Output	Function	color	Lead
Output: 3.33mV/V 0-5V; 0-10V	signal +	signal +	A			Output : 4-20m A	power +	red
	signal -	signal -	B	power -			blue	B
	power +	power +	C	calibration			black	E
	power -	power -	D	calibration			brown	F
	calibration	calibration	E					
	calibration	calibration	F					
	—	—	—	G				



Shanghai HaoYing Measurement & Control Technology Co., Ltd
No.3988 Humin Road Shanghai China (Xin Zhuang Industrial Park) Zip:201108
<http://www.haoyingsensor.com>
Tel: (+86)-021-34073371 Fax: (+86)-021-34073322



E-mail: sale@hysensor.com