



Brief description of RS485/Modbus temperature humidity transmitter

Huato Electronic (Shenzhen) Co., Ltd

Introduction:

HE400 series and HE200 series are temperature, relative humidity transmitters, adopt import components and high-performance low-power SCM design, which assure the quality and stability. HE400 series and HE200 series support two kinds of output, RS485 and Standard Modbus protocol. They have unique design features to ensure no circuit interface of themselves. They are wall-mounted and enjoy widely measuring range and high accuracy, suitable for DC16V-30V. HE400 series has LCD display, HE200 series has no LCD display. Besides, both of them have internal and external probe. Customers can have many choices according to their demands.

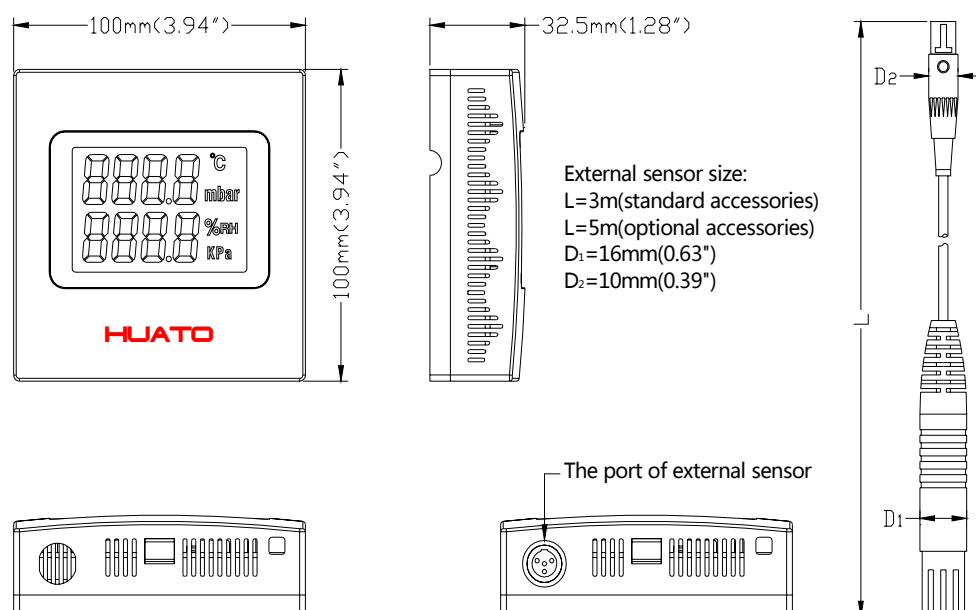
Applications:

HE400 series and HE200 series are designed for temperature and humidity control in conditioning and ventilation application in the following sectors: pharmacy, museums, clean rooms, ventilation ducts, industrial and civil sectors, crowded places, canteens, auditoria, gyms, high-density farms, greenhouse, etc.

Model list:

Model	HE200M	HE200M-EX	HE200N	HE200N-EX
	HE400M	HE400M-EX	HE400N	HE400N-EX
Temperature accuracy	$\pm 0.5^{\circ}\text{C}$	$\pm 0.5^{\circ}\text{C}$	$\pm 0.5^{\circ}\text{C}$	$\pm 0.5^{\circ}\text{C}$
Humidity accuracy	$\pm 3\%RH$	$\pm 3\%RH$	$\pm 3\%RH$	$\pm 3\%RH$
Sensor type	Internal	External	Internal	External
Measuring range	$0\sim 50^{\circ}\text{C}$	$-30\sim 70^{\circ}\text{C}$	$0\sim 50^{\circ}\text{C}$	$-30\sim 70^{\circ}\text{C}$
Output	Modbus	Modbus	RS485	RS485
Wire mode	4 lead terminals			
Measuring range	$0\sim 100\%RH$			

Mechanical drawings:



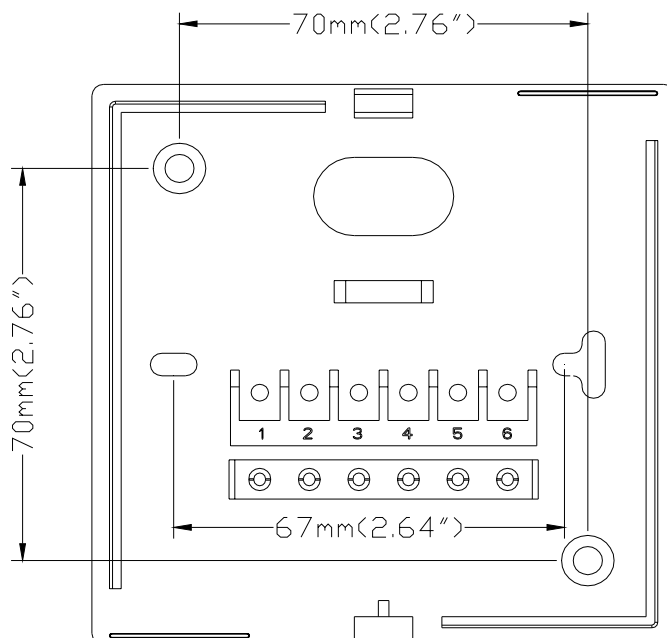
Technical specifications:

	Temperature	Humidity
Measuring range	0°C~50°C (internal) -30°C~70°C (external)	0%RH~100%RH
temperature accuracy	±0.5°C	≤±3%RH(25°C, 20-90%RH)
Working range	-10°C~60°C	0%RH~100%RH (non-condensing)
Power supply	DC16~30V (suggest 24V)	
Output	RS485/Modbus	
Canning material	ABS Engineering Plastics	
Wire mode	4 lead terminals	

Order of connection for voltage:

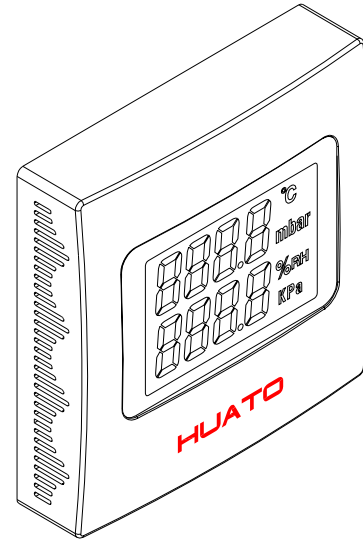
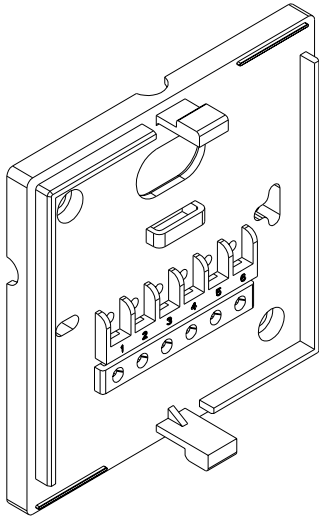
1	2	3	4	5	6
B	A	Gnd	VCC		
485-	485+	Negative wire	Positive wire		

Installation dimension:



Installation instructions:

First fix the drain pan onto the right installation position, then buckle the watch case upon the installed drain pan.



Quality assurance :

Instrument warranty for 1 year, our factory is responsible for non-man-made damage during maintenance period.

Notes :

1. Please avoid direct sunlight and any situation which may influence the accuracy of temperature and humidity surrounding the installation position.
2. Please shut off the power supply before installation and replacement. Besides, please check the connection to assure whether it is right before power up.
3. Some functional parameters of product maybe amended, the correct functional parameter is subject to the label.

HUATO ELECTRONIC (SHENZHEN) CO., LTD.

Address: F3 of Building 1, Taohuayuan Technological Innovation Zone, Xixiang Street, Baoan District, Shenzhen, China.

After-sales service hotline: 0086-755-29977880

Fax: 0086-755-29748856 Website: <http://www.huatos.com>